

Before Installing your AquaPro® SPW System

This publication provides detailed instructions for installing the single point watering system kit and/or related water supply. Thoroughly review this document before any installation procedures are performed.

The following safety statements relate to specific safety issues and must be read, understood, and heeded before a kit is installed. Failure to do so could result in personal injury and/or property damage.

Safety considerations !

- Battery – Explosive gases! Do not smoke. Keep sparks and flames away from the vehicle and service area. Ventilate when charging or operating vehicle in an enclosed space. Wear a full face shield and rubber gloves when working on or near batteries.
- Battery – Poison! Contains acid! Causes severe burns. Avoid contact with skin, eyes, or clothing. Antidotes:
 - External: Flush with water. Call a physician immediately.
 - Internal: Drink large quantities of milk or water. Follow with milk of Magnesia or vegetable oil. Call a physician immediately.
 - Eyes: Flush with water for 15 minutes. Call a physician immediately.



**SULFURIC ACID
CAN CAUSE
BLINDNESS OR
SEVERE BURNS
SHIELD EYES
WARE GLOVES
NO FLAMES**

Check that there is no transport damage to the AquaPro® fill plugs. Make sure that the batteries and all AquaPro® parts are free of any dust and dirt particles.

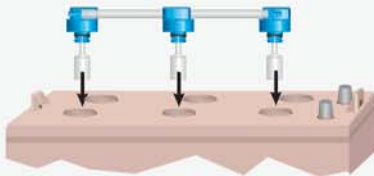
Installation

1



Remove Factory Vent Caps.

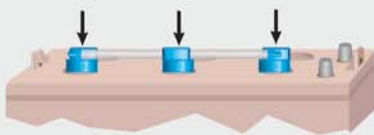
2



Insert the Pre-Strung Fill-Caps

In each battery vent hole and press fill-caps gently. Ensure the fill-caps are correctly seated in the vent hole.

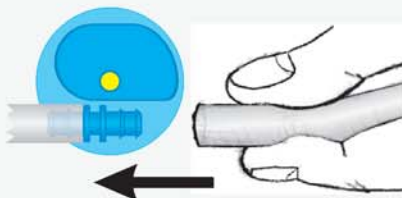
3



Secure Fill-Caps

Push each fill-cap tight. Ensure the fill-caps are correctly seated in the vent hole and secured to the battery.

4

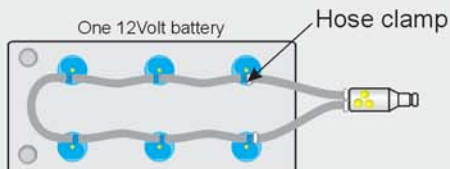


Install Hose

Plumb all pre-strungs together with the including hose. Slide the hose over the barbed area of the fitting **until the hose touches the stop**. When cutting hose ensure there is enough slack to create a slight bend in the hose.

Tip: Wetting the ends of the hose with hot water can help with sliding the hose onto the fitting.

5



Install Coupler

The All-In-One Coupler must be installed and the system closed. Ideally, the fill-caps should be installed in a loop configuration, with both ends linked, but if this is not practical, then the ends must be sealed with a stopper on the last fitting in the string.


The fittings of the first fil-caps should be secured with hose

AquaPro® Kit Package Contents for 4D/6D/8D Batteries

(with 3/4" push-in vent openings)

Part No.: 31 06 137 166

Part No.: 30 06 137 166



6 volt pre-strung shown

<u>Kit Size</u>	<u>Qty of pre-strung</u>
12 volt	2
24 volt	4
36 volt	6
48 volt	8 (6 volt pre-strungs)



All-In-One Coupler
Qty = 1
Hose Clamp Rings Qty = 2

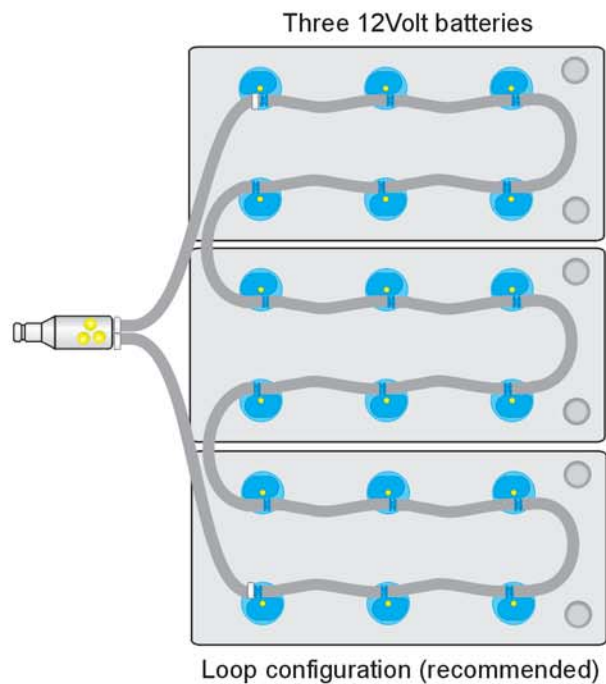
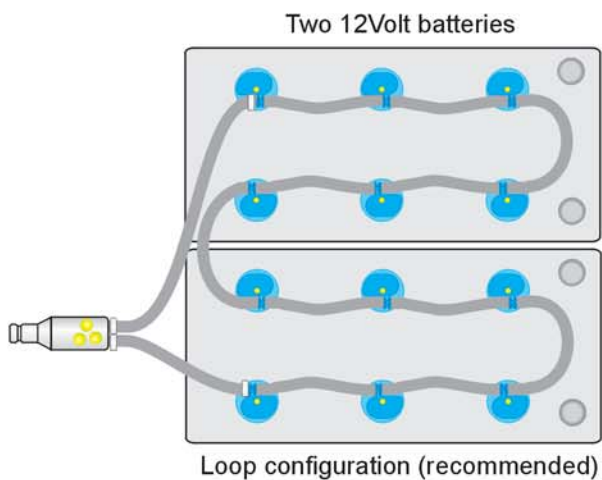
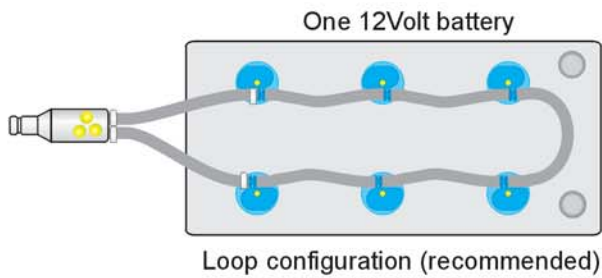
Hose
Qty = Varies on Kit Size



Hose Clamp Rings
Qty = 2
1 extra

End Stopper
Qty = 2

Configuration Suggestions



Note: More layouts are available on request